



MAX-AI
AQC

Max-AI® AQC (Autonomous Quality Control) are the ultimate in post-sort automation. When combined with NRT optical sorters, the paper and container sorting process is 100% autonomous and the need for human contact with waste is eliminated.

The AQC-2 makes multiple sorting decisions autonomously; for example, separating plastic film, small cardboard, containers and residue from a stream of newspaper. All of this is done at rates exceeding human capabilities and each pick is prioritized for profitability.

This advanced technology uses a machine vision system to see the material, specialized artificial intelligence to think and identify each item, and robotic sorters to pick targeted items or contamination. Max-AI AQC provide MRF operators with sustained and consistent sorting performance while improving safety, recovery, product quality and operational expenses.

An autonomous high-volume sorting solution.

Exceeds human capabilities in every metric including pick rate, accuracy, and uptime; and sustains those capabilities every minute of the day.

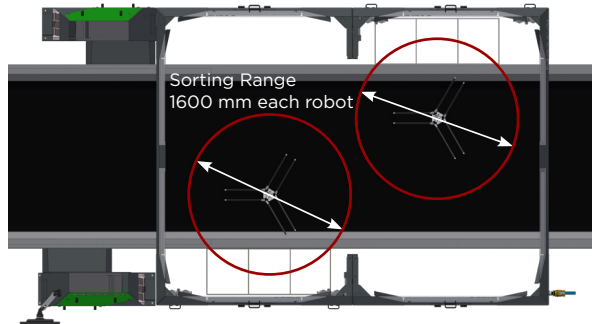
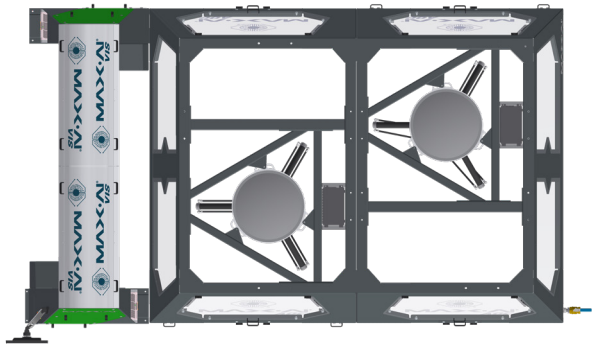
Up to three separate sorts.

Picks are prioritized by value, weight, or other operator specifications. Priorities are easily adjusted when market conditions change.

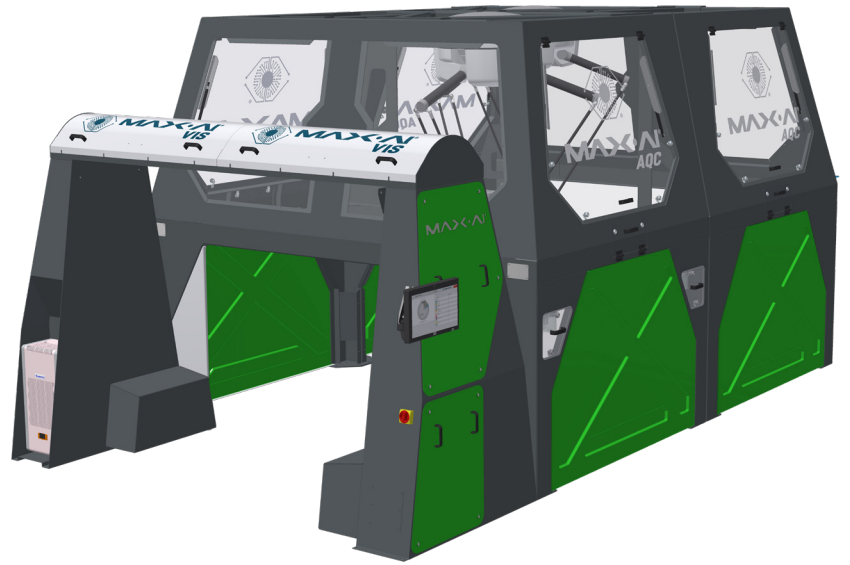
Advanced neural networks can be retrained to identify new materials as waste streams change.

Can be installed in existing MRFs with no down time.

Improves plant safety by eliminating human contact with waste.



Maximum Conveyor Frame Width: 1.828 mm
Maximum Sorting Belt Width: 1.524 mm



STANDARD STRUCTURE

Installed Length: 5.131 mm
Installed Width: 2.947 mm
Installed Height: 2.550 mm
Installed weight: 2.040 kg (approx)

Technical Specifications

Model	AQC-2
Configuration	Dual robot-central sort conveyor, picking to chutes on both sides of conveyor
Identifiable Materials	Paper, cardboard, plastic & metal containers, cartons, residue
Sorting Speed	Up to 60 picks/min. per robot
Number of Sorts	Up to 3 separate sorts per robot
Air Consumption	2,3 m ³ /min @ 6,9 BAR
Required Air Supply	Filtered and Dry Air, Pressure: 6,9 BAR, ISO 8573.1 Class 5.4.2
Voltage, VAC 50/60 Hz, Single Phase	230V
Main Circuit Breaker	25A
Full Load Amperage (FLA)	20A
Power consumption @ FLA	3,5 kW
Maximum Object Weight	0,5 kg
Maximum Object Size	250 mm
Sorting Conveyor Speed	0,5 - 1,0 m/sec.
Suitable Operating Environment	Indoors only; 2-37°C

BHS EUROPE | +31 (0)20 58 220 30 | sales@bhsequip.eu | bulkhandlingsystems.com

